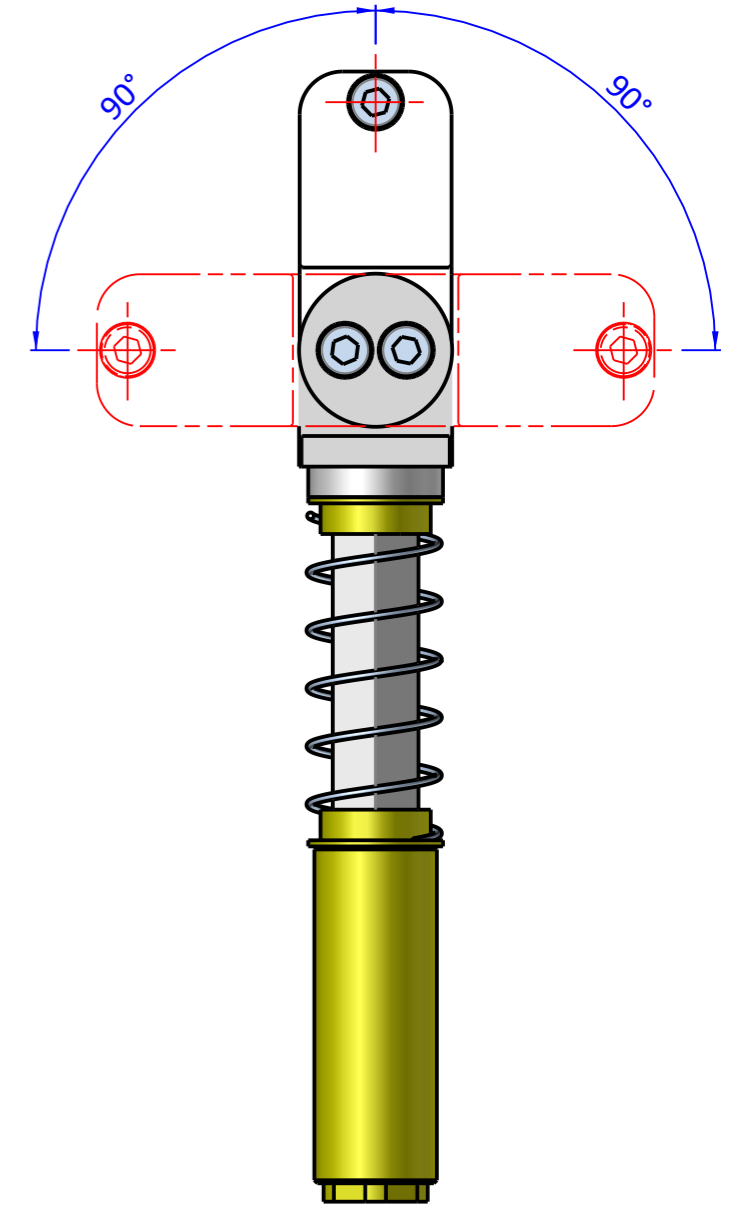
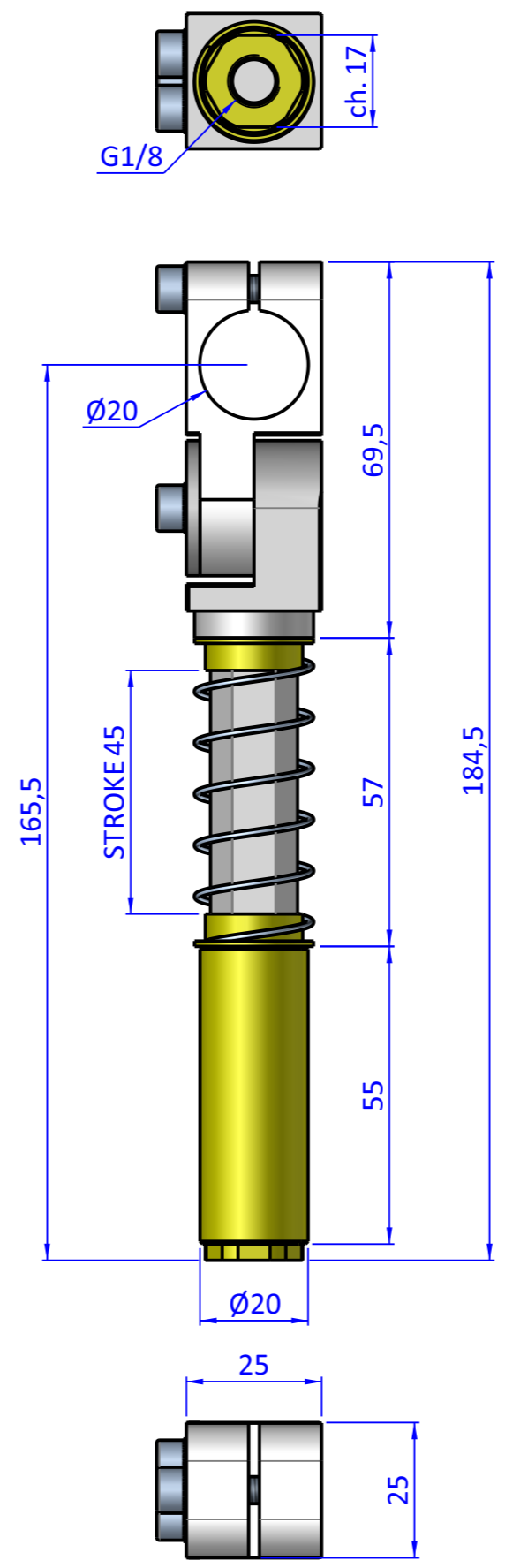
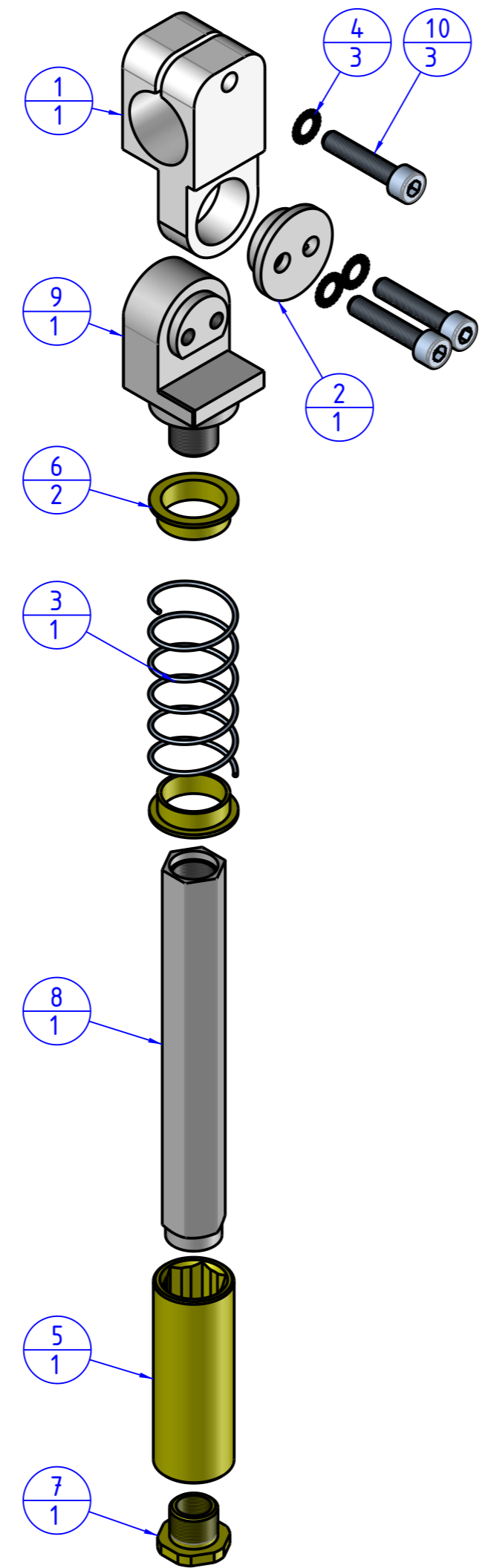



THE PROPERTY OF THE DRAWING IS ESTABLISHED BY LAW. IT IS FORBIDDEN TO PRODUCE OR SHOW IT TO THIRD PART. WITHOUT A WRITTEN AGREEMENT.

| Item | Name | Q.ty |
|------|----------------|------|
| 1 | GVR.20.2 | 1 |
| 2 | GVR.20.3 | 1 |
| 3 | M.21x69 | 1 |
| 4 | R.5.SCH | 3 |
| 5 | SAE.20141825.3 | 1 |
| 6 | SAE.20141825.4 | 2 |
| 7 | SAE.20141825.5 | 1 |
| 8 | SAE.20141850.1 | 1 |
| 9 | SAM.2020.1 | 1 |
| 10 | V.TCE5x25 | 3 |



Format A3
UNI 936-76

| | | | | |
|--|--|----------------|---------------|--------|
|  FPS FPSERVICES AUTOMATION | | DESIGNED FROM | | REVIEW |
| | | FPS Automation | | A |
| GENERAL TOLERANCE | | DATE | WEIGHT | |
| UNI - ISO 2768 | | 27/05/2024 | 0,176kg | |
| CLASSE f | | DESCRIPTION | CODE | |
| | | CA.SAM.205020 | CA.SAM.205020 | |